

- Brass Manifold
- Solid Ceramic Plungers
- Stainless Steel Plunger Guides and Check Valves
- Bronze Connecting Rods
- Heavy Duty Flat Base High Pressure Seals
- 57.6 oz. Capacity Vented Oil Bath Crank Case
- Max Fluid Temp, 160°F

### NKC Series 30mm Keyed Solid Shaft Plunger Pumps

NKC Series super duty plunger pumps include a wide range of models with flow rates from 9.1 to 37.8 GPM and pressures up to 5075 PSI.

Other drive options include gas engine gear reduction and hydraulic motor flange

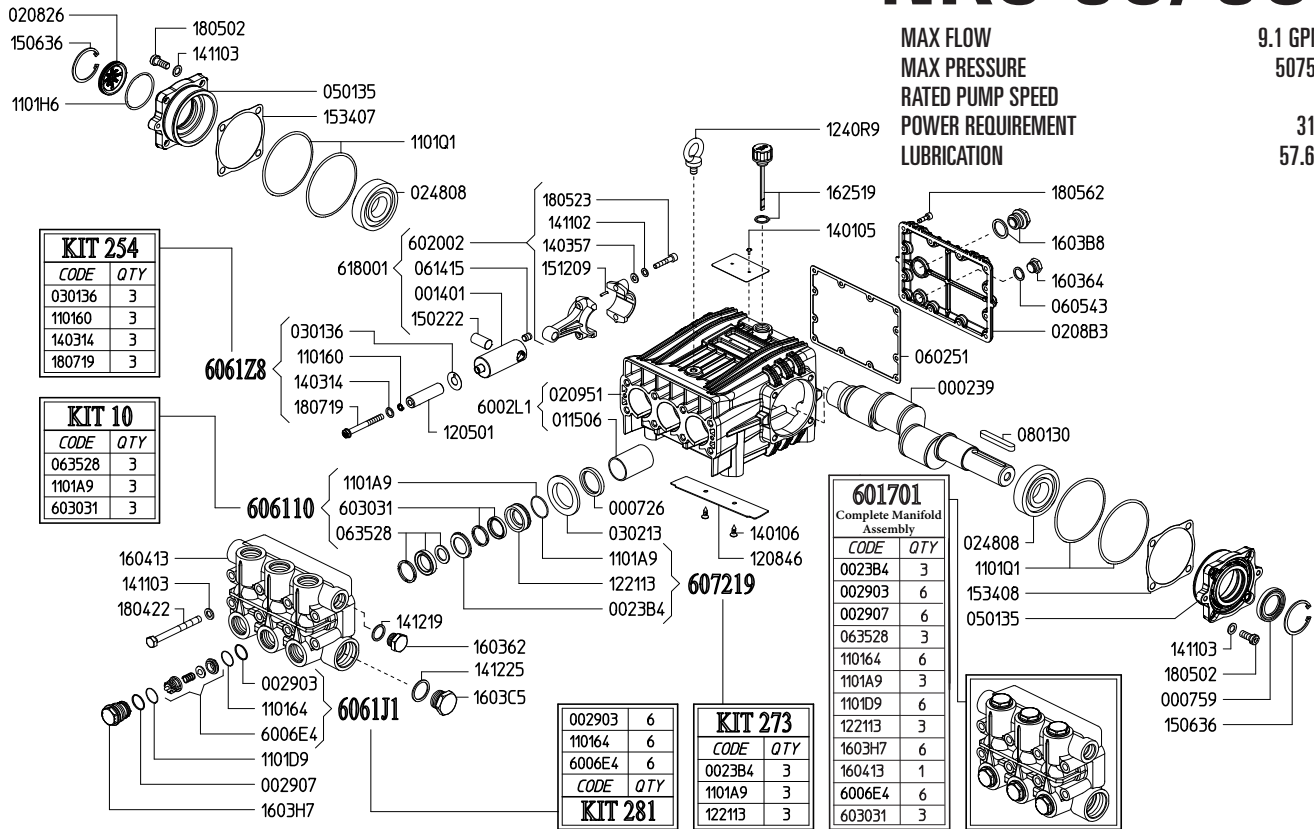
Applications include general pressure cleaning,, construction, hydro-excavation UHP fire fighting, mining and street cleaning.

|          | Model           | Flow |       | Pressure |     | Plunger Dia. | Crankshaft |      | Power     | Seal Kit | Valve Kit | Wt.    |
|----------|-----------------|------|-------|----------|-----|--------------|------------|------|-----------|----------|-----------|--------|
|          |                 | GPM  | l/min | PSI      | bar |              | Stroke     | Code |           |          |           |        |
| 1450 RPM | A NKC 35/350 R  | 9.1  | 34.6  | 5075     | 350 | 22mm         | 22.0mm     | 3    | 31.0 EBHP | 6061.10  | 6061.J1   | 67 lbs |
|          | A NKC 47/350 R  | 12.5 | 47.1  | 5075     | 350 | 22mm         | 30.0mm     | F    | 42.5 EBHP | 6061.10  | 6061.J1   | 67 lbs |
|          | A NKC 55/300 R  | 14.1 | 53.4  | 4350     | 300 | 22mm         | 34.0mm     | 7    | 41.1 EBHP | 6061.10  | 6061.J1   | 67 lbs |
|          | A NKC 60/250 R  | 16.1 | 60.9  | 3625     | 250 | 25mm         | 30.0mm     | F    | 39.0 EBHP | 6061.11  | 6061.94   | 67 lbs |
|          | A NKC 70/250 R  | 18.2 | 69.0  | 3625     | 250 | 25mm         | 34.0mm     | 7    | 44.2 EBHP | 6061.11  | 6061.94   | 67 lbs |
|          | B NKC 75/170 R  | 19.9 | 75.1  | 2465     | 170 | 28mm         | 30.0mm     | F    | 32.8 EBHP | 6061.12  | 6061.M6   | 67 lbs |
|          | B NKC 85/170 R  | 23.0 | 87.0  | 2465     | 170 | 28mm         | 34.0mm     | 7    | 37.9 EBHP | 6061.12  | 6061.M6   | 67 lbs |
|          | B NKC 100/150 R | 26.4 | 100.0 | 2175     | 150 | 30mm         | 34.0mm     | 7    | 38.4 EBHP | 6072.02  | 6061.M6   | 67 lbs |
|          | C NKC 130/130 R | 33.3 | 126.2 | 1885     | 130 | 36mm         | 30.0mm     | F    | 42.1 EBHP | 6061.Q1  | 6061.S7   | 67 lbs |
|          | C NKC 145/100 R | 37.8 | 143.0 | 1450     | 100 | 36mm         | 34.0mm     | 7    | 36.7 EBHP | 6061.Q1  | 6061.S7   | 67 lbs |

NOTE: All pump models available with left-hand drive option. Substitute 'L' for "R" in model number when ordering (ex. NKC 145/100 L)

MAX FLOW  
MAX PRESSURE  
RATED PUMP SPEED  
POWER REQUIREMENT  
LUBRICATION

9.1 GPM / 34.6 L/MIN  
5075 PSI / 350 BAR  
1450 RPM  
31.0 HP ELECTRIC  
57.6 OZ UDOR LUBE



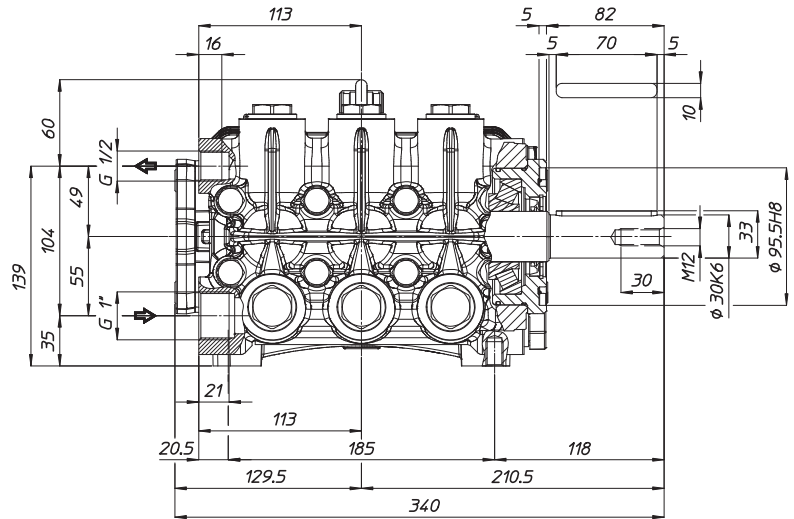
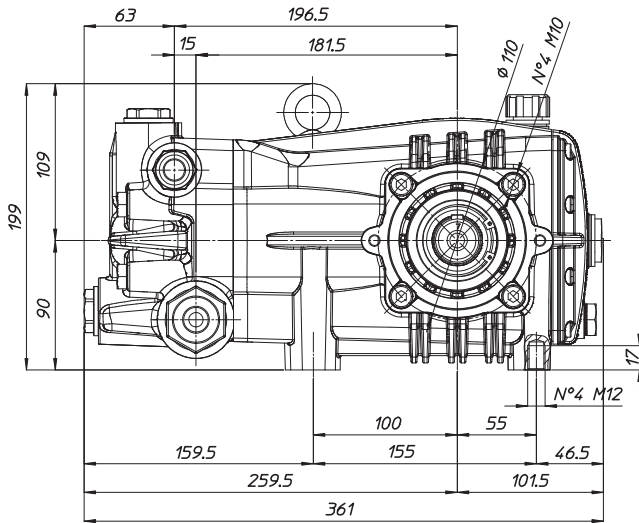
Revised 2-23-2022

| Part #  | Description                               | Qty | Part #  | Description                              | Qty |
|---------|---|-----|---------|--|-----|
| 0002.39 | CRANKSHAFT 30MM                           | 1   | 1411.03 | WASHER                                   | 16  |
| 0007.26 | OIL SEAL D35                              | 3   | 1412.19 | BONDED WASHER D21.5                      | 1   |
| 0007.59 | OIL SEAL                                  | 1   | 1412.25 | BONDED WASHER D33.9 (G1")                | 1   |
| 0014.01 | PLUNGER GUIDE                             | 3   | 1502.22 | PIN                                      | 3   |
| 0023.B4 | UPPER RING D22 <sup>D E</sup>             | 3   | 1506.36 | SNAP RING                                | 2   |
| 0029.03 | BACK UP RING <sup>C E</sup>               | 6   | 1512.09 | PIN D5X20                                | 6   |
| 0029.07 | RING - VALVE PLUG <sup>E</sup>            | 6   | 1534.07 | GASKET - BEARING FLANGE                  | 1   |
| 0115.06 | BUSHING D35                               | 3   | 1534.08 | SPACER / GASKET                          | 1   |
| 0208.26 | OIL SIGHT GLASS                           | 1   | 1603.62 | PLUG G1/2"                               | 1   |
| 0208.B3 | BACK COVER                                | 1   | 1603.64 | PLUG 3/8"                                | 1   |
| 0209.51 | CRANKCASE                                 | 1   | 1603.B8 | OIL SIGHT GLASS W/GASKET                 | 1   |
| 0248.08 | BALL BEARING                              | 2   | 1603.C5 | PLUG G1"                                 | 1   |
| 0301.36 | SLINGER RING <sup>A</sup>                 | 3   | 1603.H7 | VALVE PLUG D22/25 <sup>E</sup>           | 6   |
| 0302.13 | SPACER                                    | 3   | 1604.13 | HEAD D22 <sup>E</sup>                    | 1   |
| 0501.35 | BEARING FLANGE                            | 2   | 1625.19 | OIL CAP W/GASKET                         | 1   |
| 0602.51 | GASKET - PUMP BODY                        | 1   | 1804.22 | HEX BOLT                                 | 8   |
| 0605.43 | GASKET - D17                              | 1   | 1805.02 | ALLEN BOLT                               | 8   |
| 0614.15 | SET SCREW                                 | 3   | 1805.23 | ALLEN BOLT M8X40                         | 6   |
| 0635.28 | HIGH PRESSURE SEAL KIT D22 <sup>B E</sup> | 3   | 1805.62 | ALLEN BOLT M6X20                         | 12  |
| 0801.30 | KEY                                       | 1   | 1807.19 | PLUNGER BOLT <sup>A</sup>                | 3   |
| 1101.60 | O-RING - PLUNGER BOLT <sup>A</sup>        | 3   | 6002.L1 | CRANKCASE ASSEMBLY                       | 1   |
| 1101.64 | O-RING - VALVE <sup>C E</sup>             | 6   | 6006.E4 | VALVE ASSEMBLY W/O O-RING <sup>C E</sup> | 6   |
| 1101.A9 | O-RING - PRESSURE RING <sup>B D E</sup>   | 3   | 6017.01 | COMPLETE MANFOLD ASSEMBLY NK D22         | 1   |
| 1101.D9 | O-RING - VALVE PLUG <sup>E</sup>          | 6   | 6020.02 | CONNECTING ROD                           | 3   |
| 1101.H6 | O-RING - OIL SIGHT GLASS                  | 1   | 6030.31 | LOW PRESSURE SEAL KIT D22 <sup>B E</sup> | 3   |
| 1101.Q1 | O-RING - BEARING FLANGE                   | 4   | 6180.01 | CONNECTING ROD ASS'Y COMPLETE            | 3   |
| 1205.01 | CERAMIC PLUNGER D22                       | 3   | 6061.10 | WATER SEAL KIT (KIT 10)                  | 1   |
| 1208.46 | PLATE                                     | 1   | 6061.J1 | VALVE KIT (KIT 281)                      | 1   |
| 1221.13 | PRESSURE RING D22 <sup>D E</sup>          | 3   | 6061.Z8 | PLUNGER BOLT KIT (KIT 254)               | 1   |
| 1240.R9 | LIFTING HOOK M10                          | 1   | 6072.19 | BRASS RING KIT D22 (KIT 273)             | 1   |
| 1401.05 | RIVET 3.5X8                               | 2   |         |  |     |
| 1401.06 | RIVET D4X10                               | 2   |         |  |     |
| 1403.14 | WASHER - PLUNGER BOLT <sup>A</sup>        | 3   |         |  |     |
| 1403.57 | WASHER M8                                 | 6   |         |  |     |
| 1411.02 | SERRATED WASHER D8                        | 6   |         |  |     |

<sup>A</sup> Parts in 6061.Z8 (Kit 254).  
<sup>B</sup> Parts in 6061.10 (Kit 10).  
<sup>C</sup> Parts in 6061.J1 (Kit 281).  
<sup>D</sup> Parts in 6072.19 (Kit 273).  
<sup>E</sup> Parts in 6017.01 (Complete Manifold Assembly).

*Dimensional Drawings are  
Shown in Millimeters.  
To Convert to Inches,  
Multiply Dimension x 0.03937*

## NK SERIES PUMPS 22mm & 25mm Plungers



## TORQUE SPECS

| Ref. | Description          | Ft./lb. | Nm  | Loctite® |
|------|----------------------|---------|-----|----------|
| 1    | Head Bolts           | 37      | 50  | -        |
| 2    | Valve Caps           | 88      | 120 | 243      |
| 3    | Inlet Cap            | 133     | 180 | -        |
| 4    | Outlet Cap           | 88      | 120 | 243      |
| 5    | Bearing Flange Bolts | 37      | 50  | -        |
| 6    | Rear Cover Bolts     | 8       | 11  | -        |
| 7    | Connecting Rod Bolts | 19      | 25  | 243      |
| 8    | Plunger Bolts        | 22      | 30  | 270      |
| 9    | Valve Cover Bolts    | -       | -   | -        |
| 10   | Oil Drain Plug       | 8       | 11  | -        |

